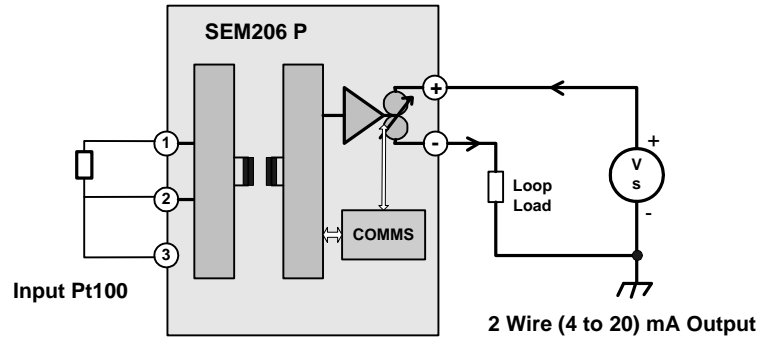


SEM206P USER GUIDE

SMART HEAD MOUNTED ISOLATED TRANSMITTER
 INPUT Pt100
 TWO WIRE (4 to 20) mA OUTPUT



Important - Please read this document before installing.



Every effort has been taken to ensure the accuracy of this document, however we do not accept responsibility for damage, injury, loss or expense resulting from errors and omissions, and we reserve the right of amendment without notice.



IMPORTANT - CE & SAFETY REQUIREMENTS

Product must be mounted inside a suitable enclosure providing environmental protection to IP65 or greater.

To maintain CE EMC requirements, input wires must be less than 30 meters.

The product contains no serviceable parts, or internal adjustments. No attempt must be made to repair this product. Faulty units must be returned to supplier for repair.

This product must be installed by a qualified person. All electrical wiring must be carried out in accordance with the appropriate regulations for the place of installation.

Before attempting any electrical connection work, please ensure all supplies are switched off.

ABSOLUTE MAXIMUM OPERATING CONDITIONS (To exceed may cause damage to the unit):-

Supply Voltage	± 30 VDC (Protected for over voltage and reverse connection)
Current with over voltage	± 100 mA
Input Voltage	± 3 V between any terminals
Input Current	± 100 mA between terminals 7 & 10
Ambient	Temperature (-40 to 85) °C Humidity (10 to 95) % RH (Non condensing)

PRODUCT SPECIFICATION

Please refer to the product data sheet for full specification, available to download at www.statinst.com.

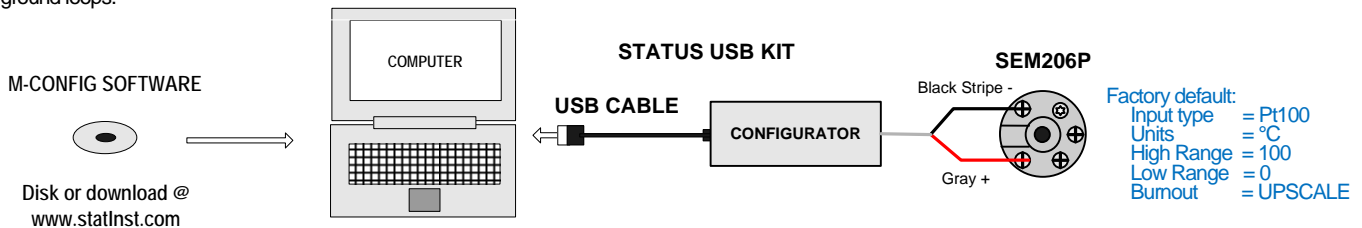
RECEIVE AND UNPACKING

Please inspect the packaging and instrument thoroughly for any signs of transit damage. If the instrument has been damaged, please notify your supplier immediately.

CONFIGURATION



IMPORTANT - The SEM1610 can be configured while connected and powered, but a portable battery powered computer must be used to avoid the effects of ground loops.



The transmitter may be purchased pre-configured, if specified at the time of order. The user can re-configure the transmitter by using our USB configurator tool (USB KIT). Connect the configurator to the PC USB port then connect the solid gray wire to (+) terminal and the black striped wire to (-) terminal. Then run the Status Instruments USB_CONFIG software, available free from www.statinst.com. The USB port supplies power to the SEM206P during configuration, no additional wiring is required. The following parameter can be configured by simply entering as prompted by the software package.

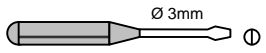
- Units (°C, °F)
- Low range
- High range
- Burnout (direction of output current on sensor burnout)

ELECTRICAL INSTALLATION



TURN OFF SUPPLY BEFORE WORKING ON ANY ELECTRICAL CONNECTION

Screw Driver



INPUT CONNECTION

Pt100 wire must be equal length and type .
To maintain CE compliance cable length must be less than 3 Meters.

OUTPUT CONNECTION

Use twisted pair or shielded cables for cable lengths greater than 30 Meters. Max cable length 1000 Meters. Ensure loop is grounded at one point.

